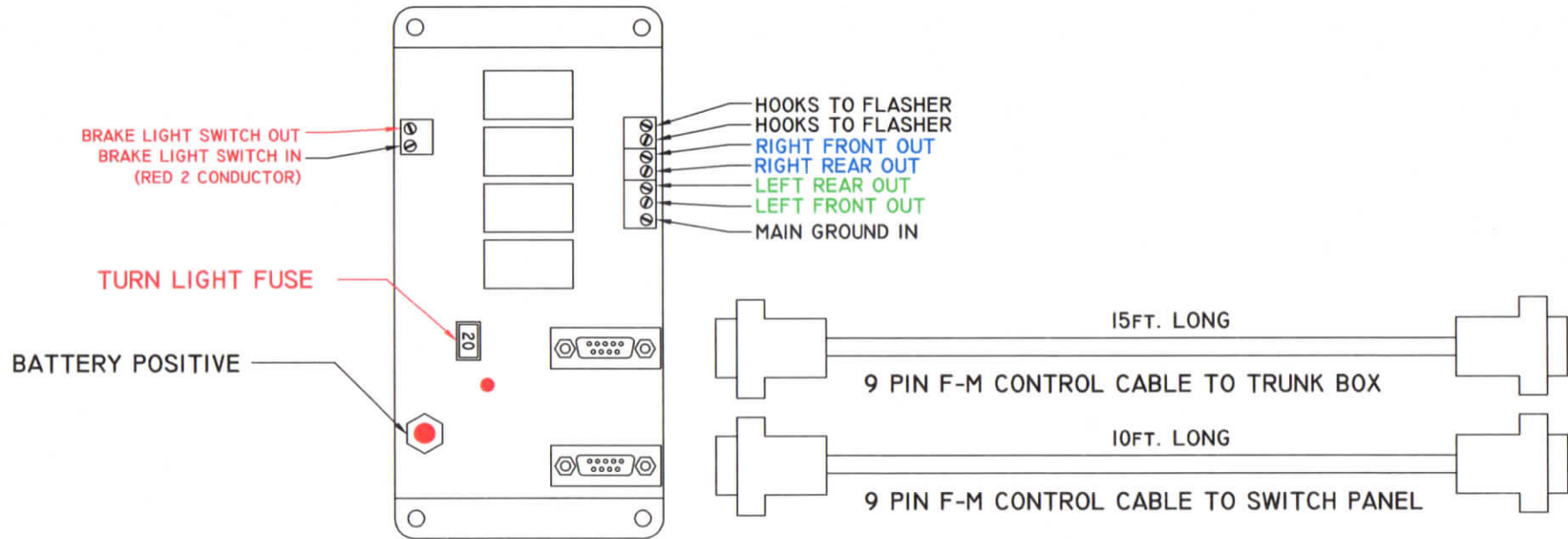


TURN LIGHT CONTROL UNIT

UNDER DASH



**PRICE ADDS 2 ON-OFF SWITCHES
TO SWITCH PANEL LAYOUT**

BOTH SWITCHES ON MAKES EMERGENCE FLASHERS

THIS DRAWING IS PROPERTY OF SPAGHETTI MENDERS INC. 6171 CONDON ROAD STILLMAN VALLEY, IL. 61084 COMPLETE WIRING SYSTEMS NITROUS CONTROL SYSTEMS CUSTOM SWITCH PANELS WIRING HEADLIGHT TO TAILLIGHTS	Spaghetti Menders Inc.		DATE 08/12/17
	NEW INTERGRATED POWER SYSTEMS		DRAWN BY RAL
	PHONE # (815)-963-1005	FAX # (815)-962-6876	COST. # 08715
	PARTS LAYOUT FOR ALL CONTROLLERS CABLE HOOKUPS AND PLACEMENT		SALESMAN BOB
			WWW.RACEWIRING.COM