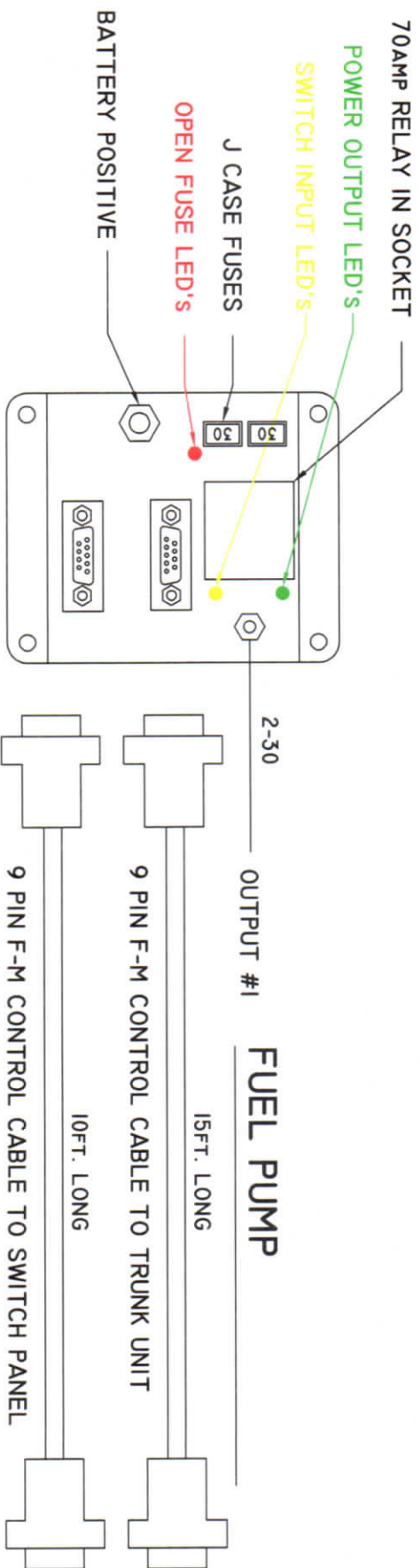


UNDER DASH ACCESSORY UNIT WITH 1-70AMP RELAY

UNDER DASH



<p>THIS DRAWING IS PROPERTY OF SPAGHETTI MENDERS INC. 6171 CONDON ROAD STILLMAN VALLEY, IL. 61084</p> <p>COMPLETE WIRING SYSTEMS NITROUS CONTROL SYSTEMS CUSTOM SWITCH PANELS WIRING HEADLIGHT TO TAILLIGHTS</p>		<p>Spaghetti Mendemans Inc.</p> <p>NEW INTERGRATED POWER SYSTEMS</p> <p>PHONE # (815)-963-1005 FAX # (815)-962-6876</p> <p>PARTS LAYOUT FOR ALL CONTROLLERS CABLE HOOKUPS AND PLACEMENT</p>		<p>DATE 08/15/17</p> <p>DRAWN BY RAL</p> <p>COST # 08712</p> <p>SALESMAN BOB</p> <p>WWW.RACEWIRING.COM</p>
--	--	---	--	--